

## Gauge Adaptor

A swivel gauge adaptor designed for use with any gauge valve to increase site versatility by allowing the positioning of pressure gauges in any direction through 360°. Suitable for pressures up to 10000 psig (690 barg)

### General Application

Designed for use with multiport valves and 2-valve manifolds for applications where pressure gauges and instruments with threaded connections are needed.

### TECHNICAL DATA

**Materials**

316 SS, Monel

**Connections:**

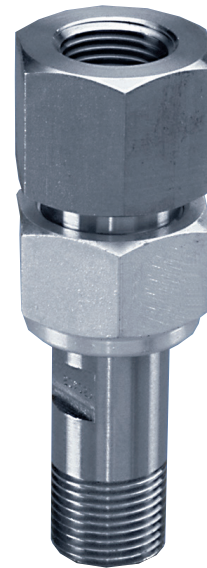
1/4", 3/8", 1/2" NPT

**Pressure (max):**

1,000 psig (690 barg)

**Temperature (max):**

1000°F (538°C)



### Features

- Versatile design with a variety of sizes and thread types gives complete design flexibility.
- Choice of body materials in SS and Monel for a wide range of applications.
- Gauge positioning enables easy viewing of the gauge in any direction through 360°.
- Meets high pressure applications up to 10000 psig (690 barg).
- Trim available to meet NACE MR0175 if Chlorides are less than 50ppm.

# GA-HP SERIES

## Gauge Adaptor

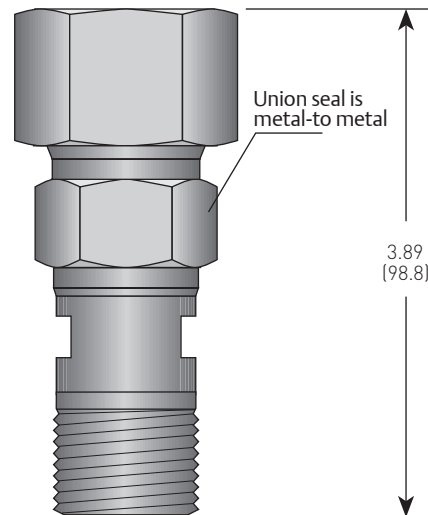
### Standard Materials<sup>[1,2]</sup>

Adapter	Body
316 SS	A479 316
Monel®	Monel® R405

### Pressure and Temperature Ratings

GA-HP
10000 psig at 200°F (690 barg at 93°C)
1500 psig at 1000°F (103 barg at 538°C)

Dimensions, inches (mm)



### Selection Guide

GA	S	-4	4	-SG	
BASIC SERIES	MATERIALS OF CONSTRUCTION		INLET CONNECTIONS	OUTLET CONNECTIONS	OPTIONS
GA	S	316 SS	4 ½-inch MNPT	4 ½-inch FNPT	SG Sour Gas meets the requirements of NACE MR0175/ISO 15156 (for chloride conditions ≤ 50 mg/l (ppm)) and NACE MR0103-2015
	M	Monel®		4M ½-inch MNPT	

### NOTES

- For other material requirements, please consult the factory.
- Approximate adaptor weight 0.4 lb (0.2 kg).